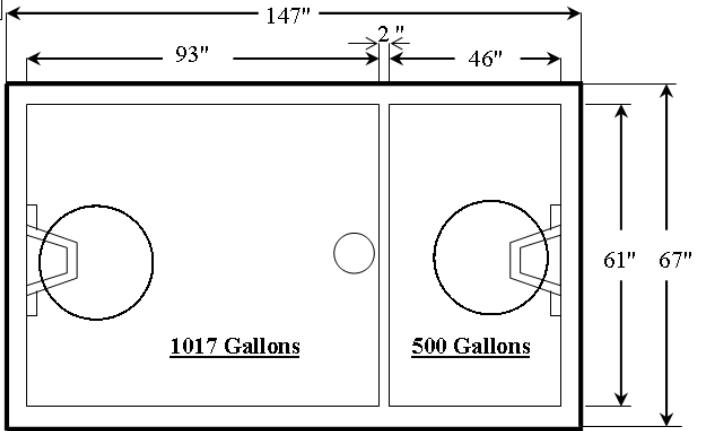


**1500 – Gallon
2-Compartment Septic Tank**

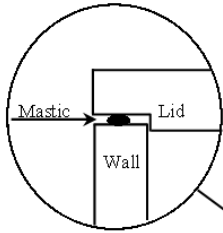
ACCURATE PRECAST CONCRETE

200 North 2nd, Yutan, NE 68073
Phone: 402-657-2083 Fax: 402-625-2502

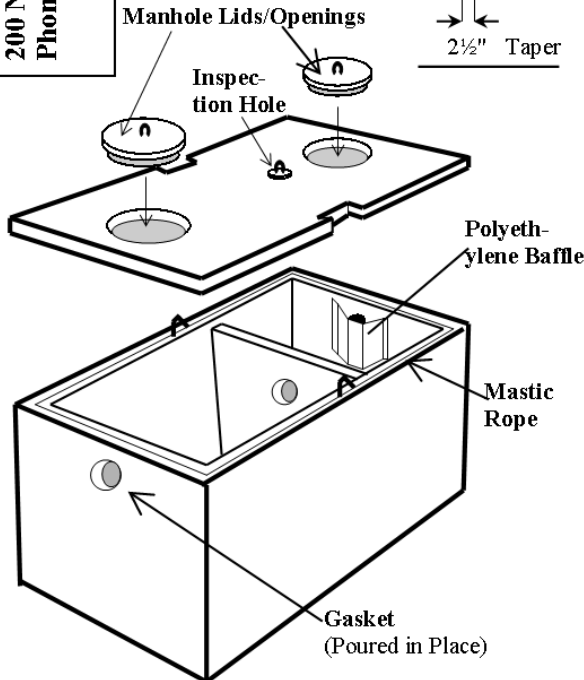
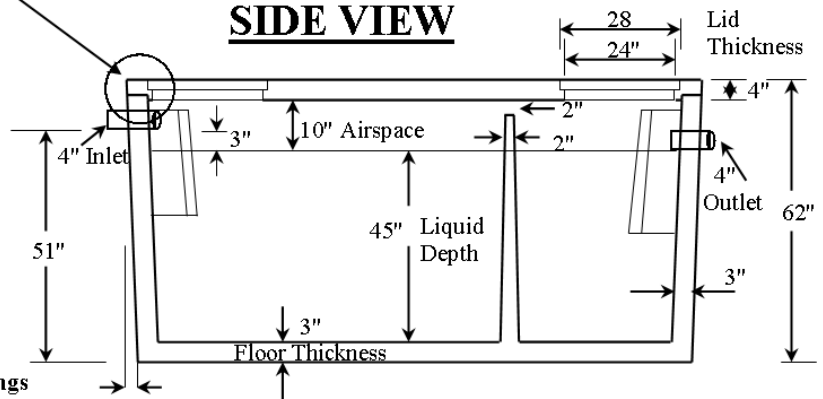
TOP VIEW



Enlarged Detail



SIDE VIEW



This is proprietary information, and remains the property of Del Zotto Products, Incorporated. These Drawings and Dimensions have been drawn especially for:

Accurate Precast Concrete
200 North 2nd, Yutan, NE 68073

Ph: 402-657-2083
Fax: 402-625-2502

*The Company/Persons named above shall be given written permission upon purchase of the Concrete Form to duplicate and promote sales literature on this septic tank by:
Del Zotto Products, Incorporated*

1500 – Gallon 2-Compartment Septic Tank
Drawing #: DZ-27-1500-2cmp(NE_IA)
Date: 3-5-02 By: PJS